



NORTHWOODS USA

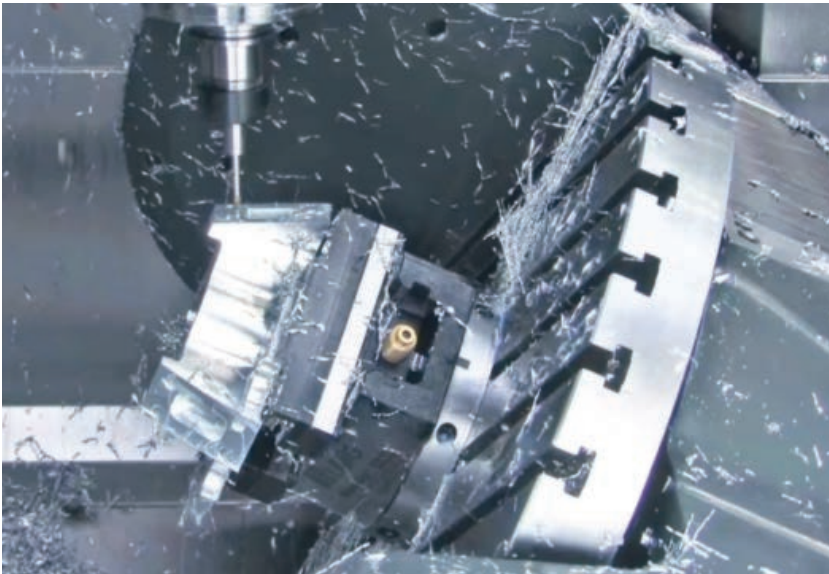
Precision Engineered Machining



NORTHWOODS USA
Precision Engineered Machining

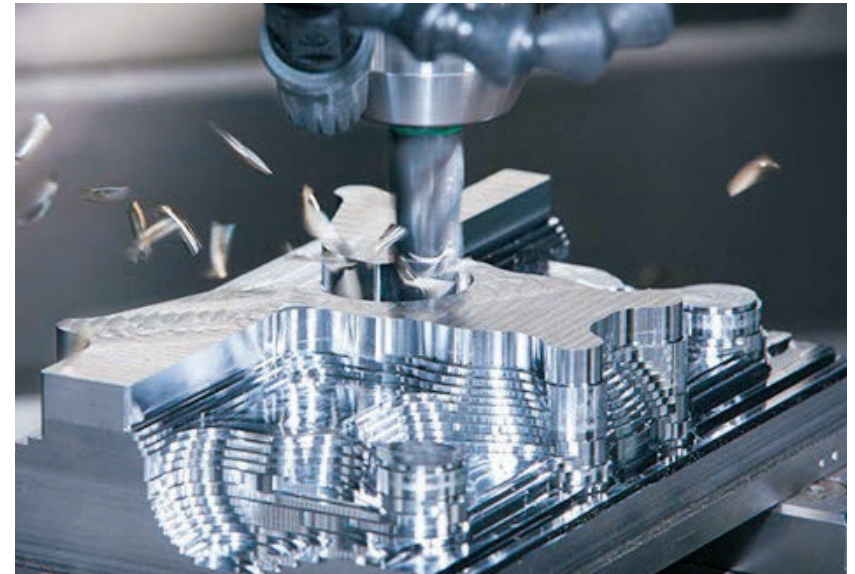
ISO 9001:2015 Certification to be Completed in July 2019

NORTHWOODS USA is an
Innovative CNC Machining Company
Backed by Decades of Professional Engineering Experience.



Engineering...First.

Design • Manufacturing • Lean



Complex CNC Machining

Milling • Turning



NORTHWOODS USA
Precision Engineered Machining

Founded in 2005 in Minnesota as Northwoods Engineering, our roots go back to Motorsports where toughness, speed and horsepower matter. Today, we have transformed into an emerging machining company located in the Twin Cities of Minnesota, led by its founder.



Agriculture



Commercial



**Powersports
and Outdoors**



Motorsports



Our Shared Values



Our Vision of Today and Tomorrow

Relentlessly and continuously pushing the limits of CNC Machining Technology and rewarding our customers with consistently successful and innovative solutions to challenging objectives.

Our Mission

Northwoods USA will consistently provide Precision Engineered Manufacturing using state-of-the-art software and machine tools operated by highly-skilled professionals. The Company will utilize a disciplined and engineered approach for all projects through a commitment to innovation, quality, and excellence in customer service.

Engineered & Innovative Thinking

We thrive on challenges that result in the best possible solutions.

Learning Organization

We strive to be our best through continuous improvement of our processes, people, services and products.

Integrity

We are honest, transparent and believe in doing the right thing at all times.

Take Ownership

We are accountable to each other for our actions without passing blame.

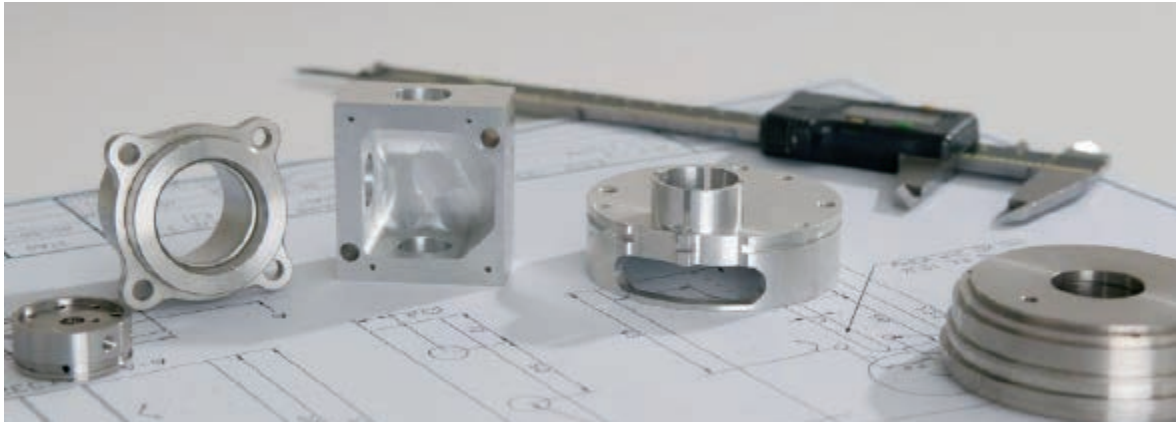
Excellence in Service

We will serve our customers, employees, suppliers and our community with a commitment to excellence.



NORTHWOODS USA
Precision Engineered Machining

The NORTHWOODS USA Quality Policy



“We The People of Northwoods USA, pledge our personal and professional commitment to fully understand and by all means possible, exceed our customer’s requirements through the continuous improvement of our engineering and manufacturing processes. We are dedicated to delivering creative, engineered solutions to the most challenging requirements, defect-free, on-time, and at the most competitive pricing possible.”

“The engineering and machining expertise we have found at Northwoods USA has allowed us to deliver high quality components in extremely tight lead times on highly technical projects. We are fortunate to be partnering with them. They work with us as a team and have helped to drive our business to a new level.”

Jim Nohr
President
Nohr LLC in Beloit, Wisconsin

(Nohr LLC is a premier manufacturer of patterns, tooling, and machining for large OEM's)



What is Precision and Engineered?

Precision Machining

- Tight tolerance of features and positions
0.0003 INCHES / 5 MICRONS
- Complex Shapes with 3D surfacing
- Holding tight tolerances in Tough Materials
- Probing technology and metrology as part of the machining process

Engineered Machining

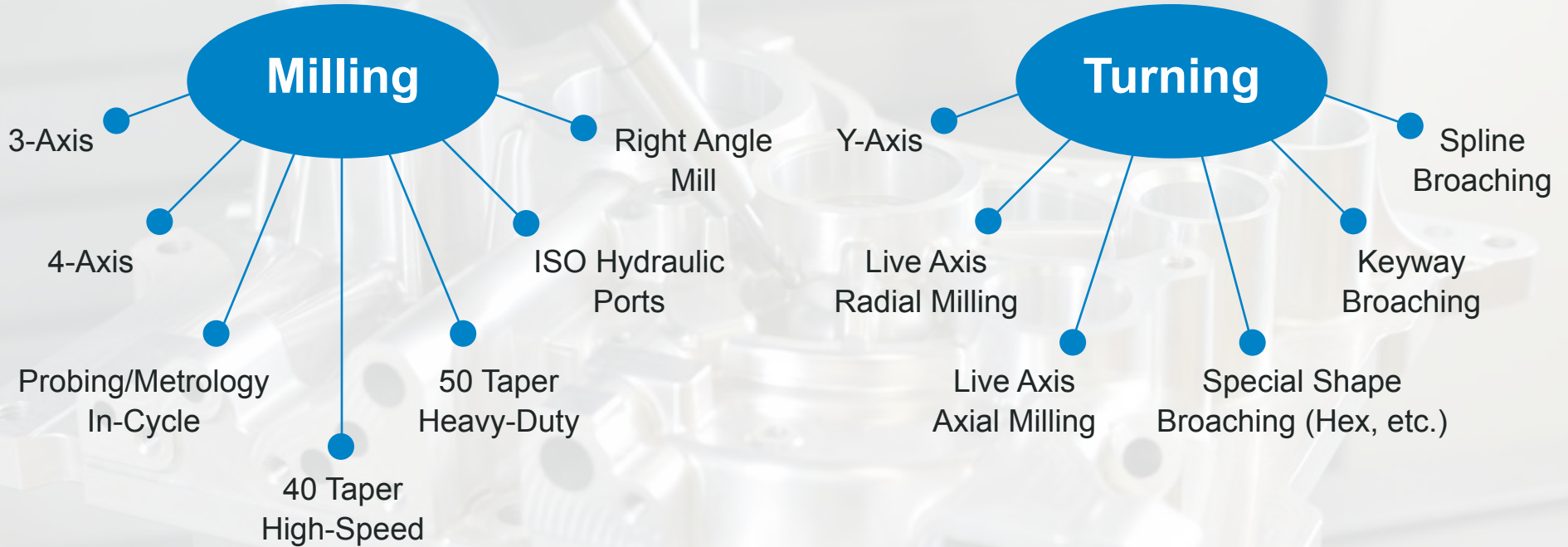
- Upfront technical assessment with customer to determine best methods
- Highly featured but practical fixtures; 4 and 5 axis positioning
- Stretching and even inventing new machining toolpaths
- Stretching feeds and speeds to improve leadtime while controlling quality

PRECISION ENGINEERED MACHINING in a nutshell:
Tight Tolerances, Disciplined Technical Approach.

Count on Northwoods To Get It Done



Machining Capability | At a Glance





CNC Machining Envelope | At a Glance

Vertical Milling

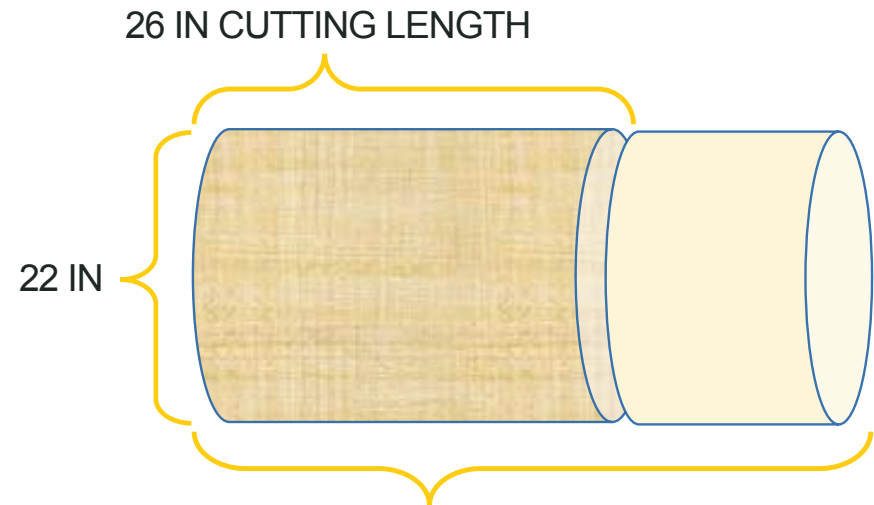
72 Wide X 32 Deep X 25 High



Right Angle Head
(3 Sides of Part)

Live Axis Turning

22 Diameter X 26 Long Cutting





Machining Capability | Materials

Materials We Thrive On

- **Alloy Steel**
4140 PH/A, 8620, Stainless Steels
- **Cast Iron**
Grey, Ductile Iron, Austempered, CGI
- **Exotic**
Titanium, Inconel

General Materials

- **Ferrous**
All Carbon, Free Machining Steels
- **Non-Ferrous**
Aluminum, Brass
- **All Plastics**
UHMW, HDPE, Nylon, Delrin, ABS, PVC

**We can make your parts, fixtures, and tooling out of Billet,
your Casting or Molding, or other Supplied Material.**



What Our Customers are Saying

"We provide Service and Support for all manufacturers using Mastercam. In the many years we have been in-service, the manner, style, determination and ability in stretching every capability of the Mastercam software in order to get to the desired result has never been witnessed more than from the engineers at NORTHWOODS USA. When they say "Engineering...First", they mean it. NORTHWOODS USA is doing things with Mastercam even we did not know were possible!"

**Brian Pascoe, President
ProtoTek Engineering**

(Owner of the only shop where customers can purchase Mastercam in Minnesota, Wisconsin and the Dakotas)

"The engineering and machining expertise we have found at NORTHWOODS USA has allowed us to deliver high quality components on extremely tight lead-times on highly technical projects. We are fortunate to be partnering with them. They work with us as a team and have helped to drive our business to a new level."

**Jim Nohr, President
Nohr LLC in Beloit, Wisconsin**

(A premier manufacturer of patterns, tooling, and machining for large OEM's.)

"We have been working with NORTHWOODS USA for many years to significantly and consistently improve our induction and cylinder head systems on our tractors. The superior engineering shown in their latest cylinder head technology has proven to be a great part of the championship success in our Limited Pro Stock Campaigns."

**Kevin Lindstrom, CEO
Lindstrom Farms in Ellsworth, Wisconsin**

(Owner/Driver of Hyper Harvester, IH1466 Limited Pro Stock Tractor. Back to Back NTPA Enderle Champion in 2017/18 and 2018 Louisville NFMS Invitational Puller.)



NORTHWOODS USA
Precision Engineered Machining

Why Choose Northwoods USA?

- We thrive on **tough** projects. We can help you solve **tough** problems.
- **Engineering First.** This is our standard work every day.
- We provide an innovative machining experience with excellence in customer service.
- We have a proven track record in Power Sports, Motor Sports, Agriculture, and Commercial markets.

Partner With Us For A Great Experience.

Discover what Precision Engineered Machining
can mean for you by visiting:
www.northwoodsusa.com

